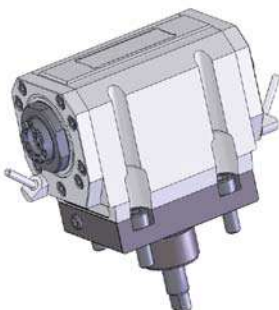
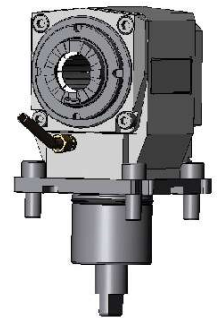
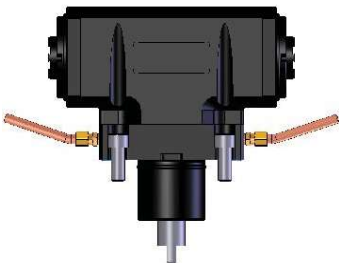
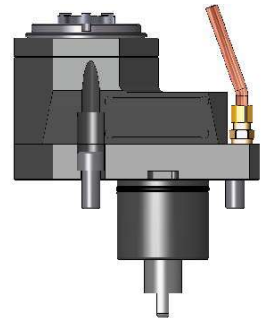
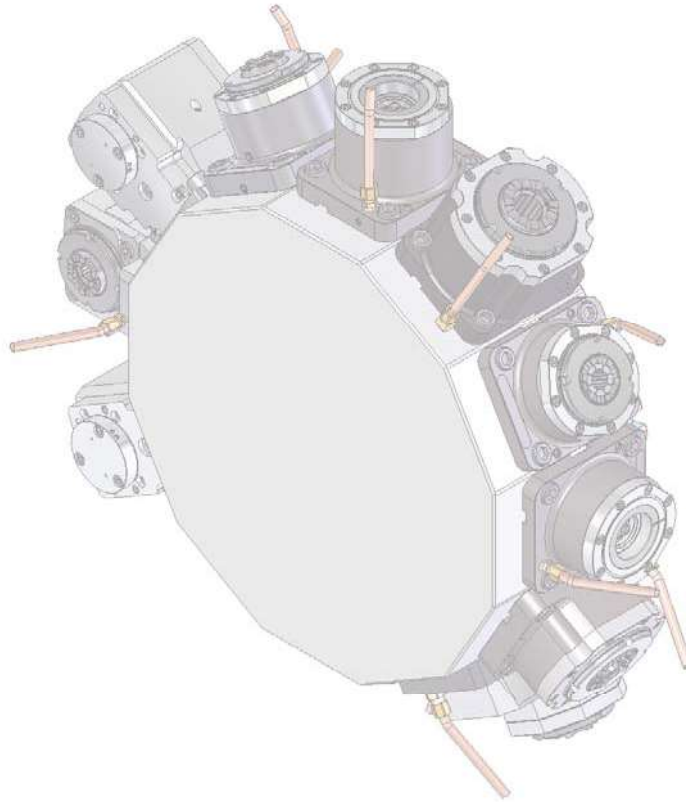




**DT SERIES  
NL-NLX SERIES  
NT-NTX SERIES  
NZ-NZX SERIES**

# ROTARY TOOLS

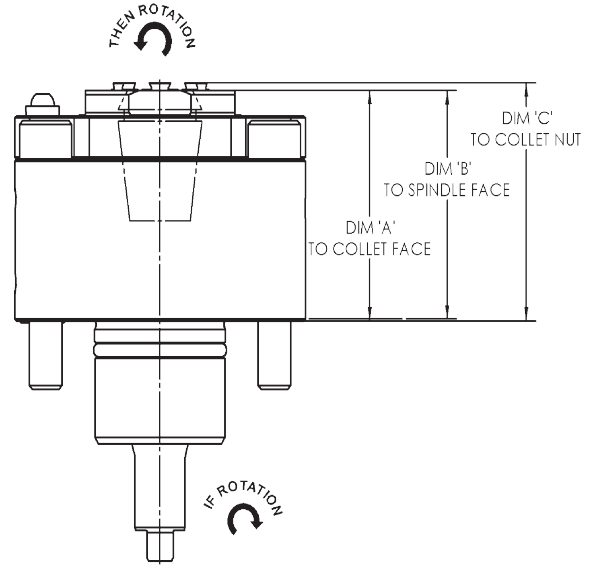




**DT 2050-2550 (12-STATION TURRET)**  
**NL(X) 1500-3000 (16/20-STATION TURRET)**  
**NT(X) 1000-2000 SERIES (10-STATION TURRET)**  
**NT(X) 3100-3200 SERIES (12-STATION TURRET)**  
**NZ(X) 1500-2000 (16-STATION TURRET)**

ROTARY TOOLS

**DMG MORI**  
 QUALIFIED PRODUCTS



**STRAIGHT (OD)**

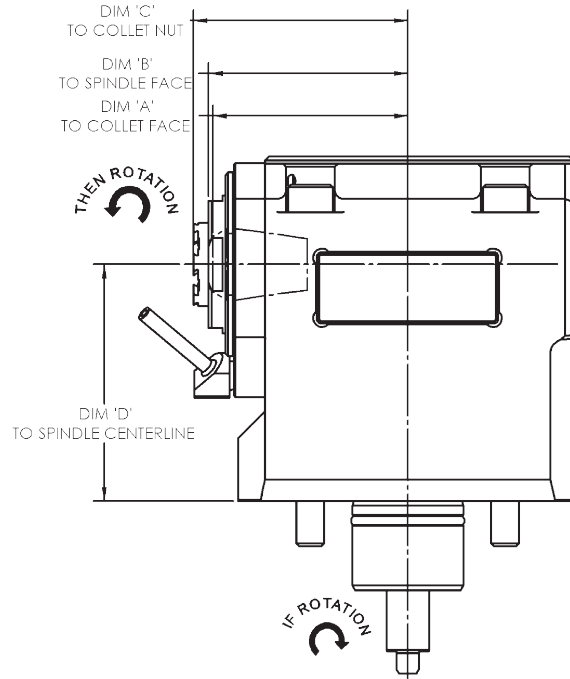
Item Number	Tool Axis	Ratio	Spindle	Internal Coolant	A (mm)	B (mm)	C (mm)	D (mm)	List Price
DT10611203811	OD	1:1	ER-20	----	60	60	62	---	\$2,000.00
DT10611203823	OD	1:1	ER-20	500 PSI	70	70	77	---	\$3,000.00
DT10611303811	OD	1:1	ER-25	----	60	60	62	---	\$2,000.00
DT10611303823	OD	1:1	ER-25	500 PSI	70	70	77	---	\$3,000.00
DT10611403811	OD	1:1	ER-32	----	60	60	62	---	\$2,000.00
DT10611403823	OD	1:1	ER-32	500 PSI	78	78	85	---	\$3,000.00

**DT 2050-2550 (12-STATION TURRET)**  
**NL(X) 1500-3000 (16/20-STATION TURRET)**  
**NT(X) 1000-2000 SERIES (10-STATION TURRET)**  
**NT(X) 3100-3200 SERIES (12-STATION TURRET) NZ(X)**  
**1500-2000 (16-STATION TURRET)**



**DMG MORI**

QUALIFIED PRODUCTS



ROTARY TOOLS

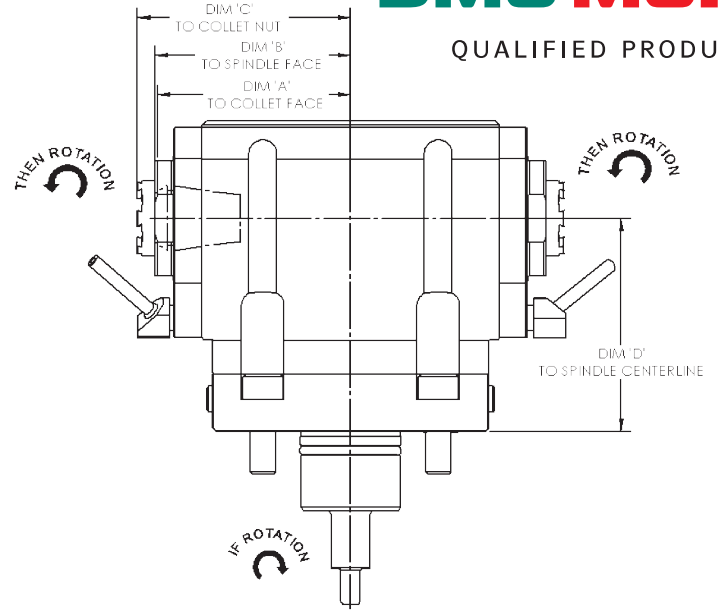
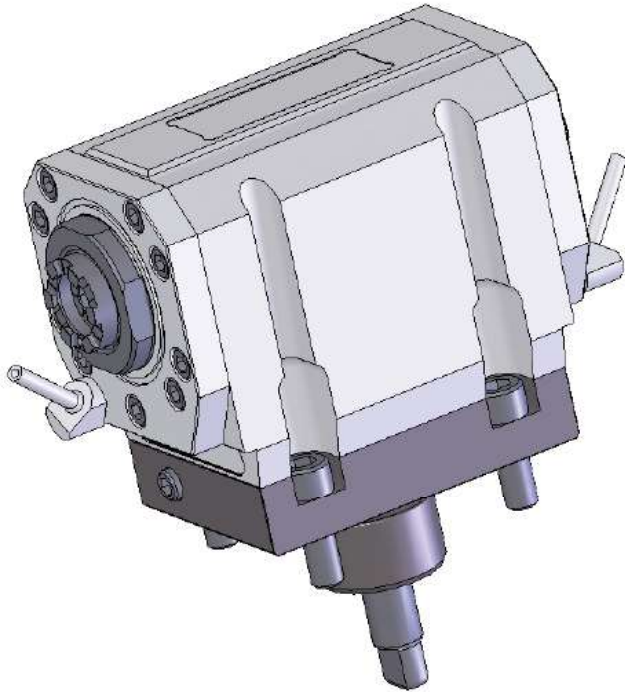
**RIGHT-ANGLE (FACE)**

Item Number	Tool Axis	Ratio	Spindle	Internal Coolant	A (mm)	B (mm)	C (mm)	D (mm)	List Price
DT10211203811	Face	1:1	ER-20	----	70	70	72	85	\$3,500.00
DT10211203821	Face	1:1	ER-20	1500 PSI	70	70	78	85	\$4,500.00
DT10211303811	Face	1:1	ER-25	----	70	70	72	85	\$3,500.00
DT10211303821	Face	1:1	ER-25	1500 PSI	70	70	78	85	\$4,500.00
DT10211403811	Face	1:1	ER-32	----	80	80	82	85	\$3,500.00
DT10211403821	Face	1:1	ER-32	1500 PSI	80	80	87	85	\$4,500.00
DT10221203811	Face	1:2	ER-20	----	70	70	72	85	\$5,000.00
DT10221203821	Face	1:2	ER-20	1500 PSI	70	70	78	85	\$6,000.00
DT10221303811	Face	1:2	ER-25	----	70	70	72	85	\$5,000.00
DT10221303821	Face	1:2	ER-25	1500 PSI	70	70	78	85	\$6,000.00
DT10241303811	Face	2:1	ER-25	----	70	70	72	85	\$5,000.00
DT10241303821	Face	2:1	ER-25	1500 PSI	70	70	78	85	\$6,000.00
DT10241403811	Face	2:1	ER-32	----	80	80	82	85	\$5,000.00
DT10241403821	Face	2:1	ER-32	1500 PSI	80	80	87	85	\$6,000.00

**DT 2050-2550 (12-STATION TURRET)  
 NL(X) 1500-3000 (16/20-STATION TURRET)  
 NT(X) 1000-2000 SERIES (10-STATION TURRET)  
 NT(X) 3100-3200 SERIES (12-STATION TURRET)  
 NZ(X) 1500-2000 (16-STATION TURRET)**

**DMG MORI**  
 QUALIFIED PRODUCTS

ROTARY TOOLS



**RIGHT-ANGLE DUAL-HEAD (FACE)**

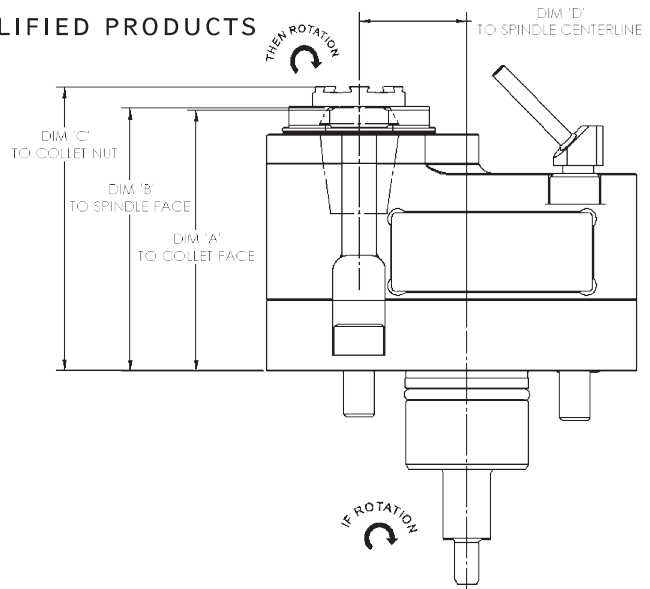
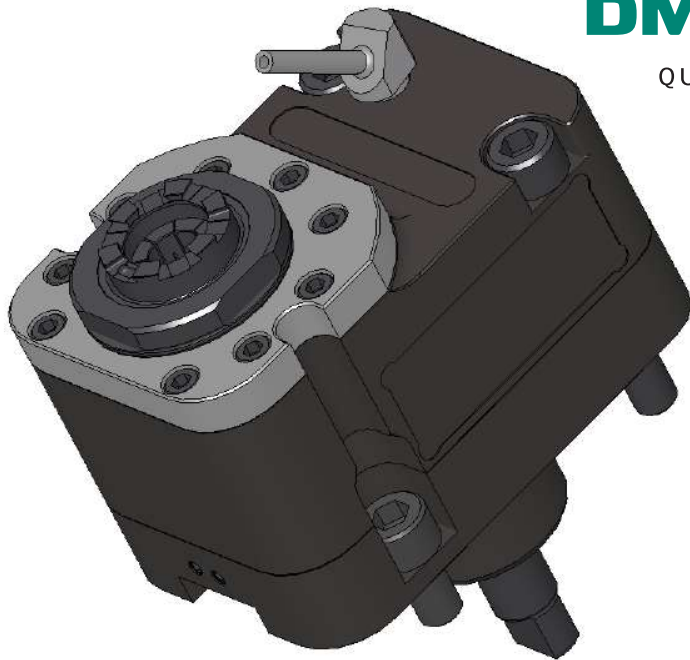
Item Number	Tool Axis	Ratio	Spindle	Internal Coolant	A (mm)	B (mm)	C (mm)	D (mm)	List Price
DT10511203811	Face-Both	1:1	ER-20	----	70	70	72	85	\$5,000.00
DT10511203821	Face-Both	1:1	ER-20	1500 PSI	78	78	85	85	\$6,500.00
DT10511303811	Face-Both	1:1	ER-25	----	70	70	72	85	\$5,000.00
DT10511303821	Face-Both	1:1	ER-25	1500 PSI	78	78	85	85	\$6,500.00

**DT 2050-2550 (12-STATION TURRET)**  
**NL(X) 1500-3000 (16/20-STATION TURRET)**  
**NT(X) 1000-2000 SERIES (10-STATION TURRET)**  
**NT(X) 3100-3200 SERIES (12-STATION TURRET)**  
**NZ(X) 1500-2000 (16-STATION TURRET)**



**DMG MORI**

QUALIFIED PRODUCTS



ROTARY TOOLS

## STRAIGHT-OFFSET (OD)

Item Number	Tool Axis	Ratio	Spindle	Internal Coolant	A (mm)	B (mm)	C (mm)	D (mm)	List Price
DT10111203811	OD-Offset	1:1	ER-20	----	85	85	87	35	\$4,500.00
DT10111203821	OD-Offset	1:1	ER-20	1500 PSI	85	85	92	35	\$5,500.00
DT10111303811	OD-Offset	1:1	ER-25	----	85	85	87	35	\$4,500.00
DT10111303821	OD-Offset	1:1	ER-25	1500 PSI	85	85	92	35	\$5,500.00
DT10121203811	OD-Offset	1:2	ER-20	----	85	85	87	35	\$6,000.00
DT10121203821	OD-Offset	1:2	ER-20	1500 PSI	85	85	92	35	\$7,000.00
DT10141303811	OD-Offset	2:1	ER-25	----	85	85	87	35	\$6,000.00
DT10141303821	OD-Offset	2:1	ER-25	1500 PSI	85	85	92	35	\$7,000.00

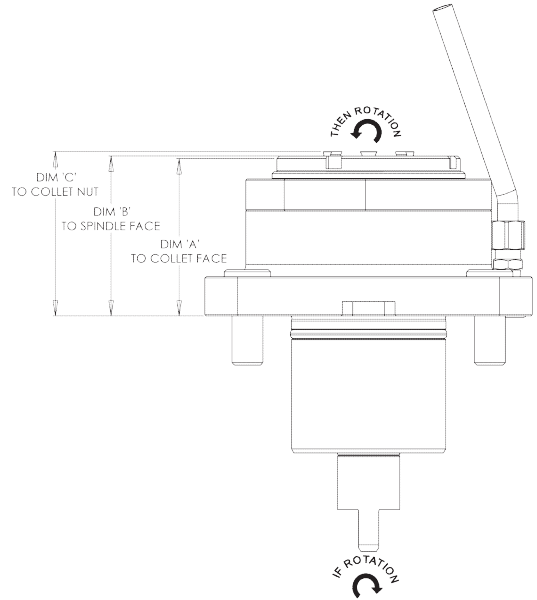
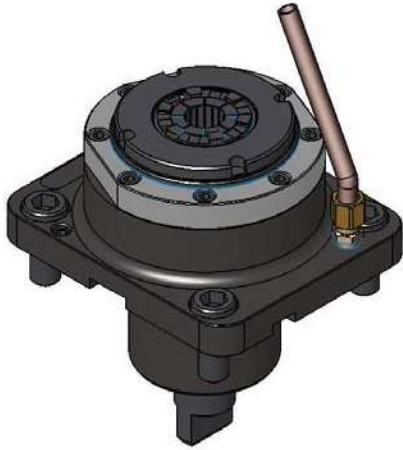


**NL(X) 1500-4000 (10/12-STATION TURRET)**  
**NT(X) 4200 - 5400 SERIES (10/12-STATION TURRET)**  
**NZ(X) 2500 - 4000 SERIES (10/12 STATION TURRET)**

**DMG MORI**

QUALIFIED PRODUCTS

ROTARY TOOLS



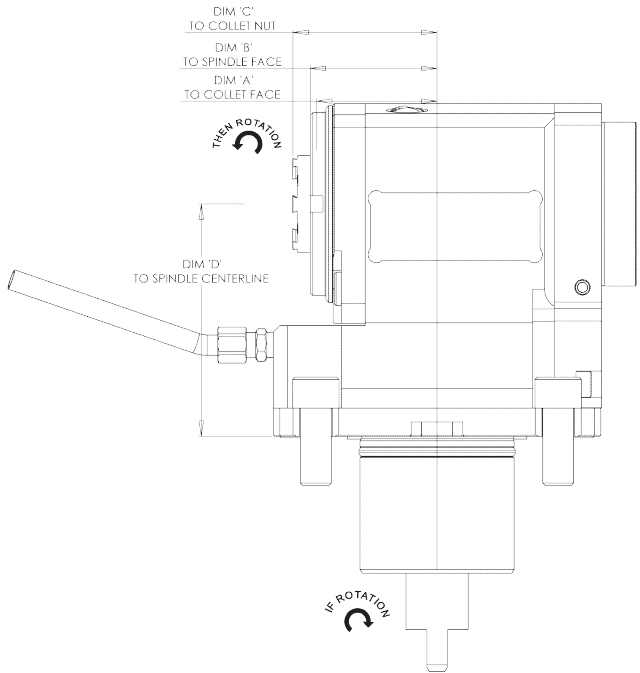
**STRAIGHT (OD)**

Item Number	Tool Axis	Ratio	Spindle	Internal Coolant	A (mm)	B (mm)	C (mm)	D (mm)	List Price
DT10611402711	OD	1:1	ER-32	----	62	62	64	---	\$2,000.00
DT10611402721	OD	1:1	ER-32	1500 PSI	85	85	92	---	\$3,500.00
DT10611502711	OD	1:1	ER-40	----	78	78	80	---	\$2,000.00
DT10611502721	OD	1:1	ER-40	1500 PSI	98	98	106	---	\$3,500.00
DT10610602711	OD	1:1	KM-40	----	57	65	---	---	\$4,000.00
DT10610602721	OD	1:1	KM-40	1500 PSI	83	92	---	---	\$5,500.00
DT10610502711	OD	1:1	KM-50	----	70	86	---	---	\$5,000.00
DT10610502721	OD	1:1	KM-50	1500 PSI	95	111	---	---	\$6,500.00

**NL(X) 1500-4000 (10/12-STATION TURRET)**  
**NT(X) 4200 - 5400 SERIES (10/12-STATION TURRET)**  
**NZ(X) 2500 - 4000 SERIES (10/12 STATION TURRET)**



ROTARY TOOLS



**DMG MORI**

QUALIFIED PRODUCTS

**RIGHT-ANGLE (FACE)**

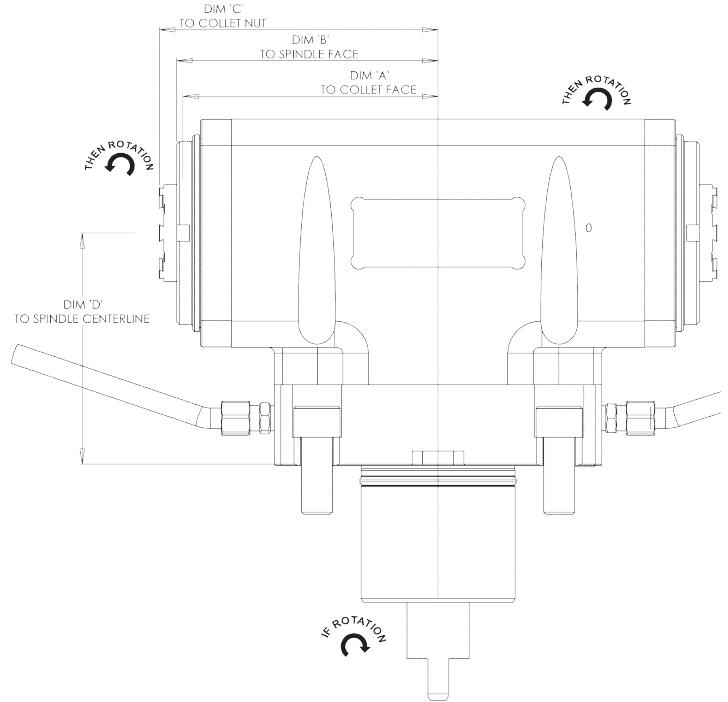
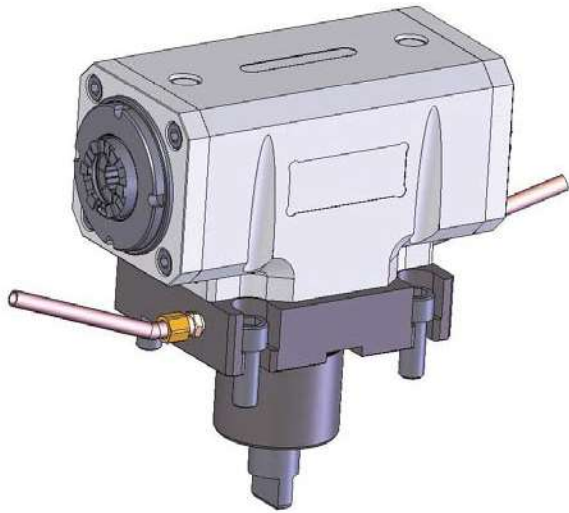
Item Number	Tool Axis	Ratio	Spindle	Internal Coolant	A (mm)	B (mm)	C (mm)	D (mm)	List Price
DT10211402711	Face	1:1	ER-32	----	50	50	51	90	\$3,500.00
DT10211402721	Face	1:1	ER-32	1500 PSI	50	50	56	90	\$4,500.00
DT10211502711	Face	1:1	ER-40	----	60	60	62	90	\$3,500.00
DT10211502721	Face	1:1	ER-40	1500 PSI	60	60	68	90	\$4,500.00
DT10210602711	Face	1:1	KM-40	----	28	40	---	90	\$5,500.00
DT10210602721	Face	1:1	KM-40	1500 PSI	28	40	---	90	\$6,500.00
DT10221402711	Face	1:2	ER-32	----	50	50	51	90	\$5,000.00
DT10221402721	Face	1:2	ER-32	1500 PSI	50	50	56	90	\$6,000.00
DT10221502711	Face	1:2	ER-40	----	60	60	62	90	\$5,000.00
DT10221502721	Face	1:2	ER-40	1500 PSI	60	60	68	90	\$6,000.00
DT10220602711	Face	1:2	KM-40	----	28	40	---	90	\$7,000.00
DT10220602721	Face	1:2	KM-40	1500 PSI	28	40	---	90	\$8,000.00
DT10241402711	Face	2:1	ER-32	----	50	50	51	90	\$5,000.00
DT10241402721	Face	2:1	ER-32	1500 PSI	50	50	56	90	\$6,000.00
DT10241502711	Face	2:1	ER-40	----	60	60	62	90	\$5,000.00
DT10241502721	Face	2:1	ER-40	1500 PSI	60	60	68	90	\$6,000.00
DT10240602711	Face	2:1	KM-40	----	28	40	---	90	\$7,000.00
DT10240602721	Face	2:1	KM-40	1500 PSI	28	40	---	90	\$8,000.00



**NL(X) 1500-4000 (10/12-STATION TURRET)**  
**NT(X) 4200 - 5400 SERIES (10/12-STATION TURRET)**  
**NZ(X) 2500 - 4000 SERIES (10/12 STATION TURRET)**

ROTARY TOOLS

**DMG MORI**  
 QUALIFIED PRODUCTS



**RIGHT-ANGLE DUAL-HEAD (FACE)**

Item Number	Tool Axis	Ratio	Spindle	Internal Coolant	A (mm)	B (mm)	C (mm)	D (mm)	List Price
DT10511402711	Face-Both	1:1	ER-32	----	101	101	103	90	\$5,000.00
DT10511402721	Face-Both	1:1	ER-32	1500 PSI	101	101	108	90	\$6,500.00
DT10511502711	Face-Both	1:1	ER-40	----	60	60	62	90	\$5,000.00
DT10511502721	Face-Both	1:1	ER-40	1500 PSI	60	60	68	90	\$6,500.00
DT10510602711	Face-Both	1:1	KM-40	----	80	92	---	90	\$8,000.00
DT10510602721	Face-Both	1:1	KM-40	1500 PSI	80	92	---	90	\$9,500.00
DT10521402711	Face-Both	1:2	ER-32	----	101	101	103	90	\$6,500.00
DT10521402721	Face-Both	1:2	ER-32	1500 PSI	101	101	108	90	\$8,000.00
DT10520602711	Face-Both	1:2	KM-40	----	80	92	---	90	\$9,500.00
DT10520602721	Face-Both	1:2	KM-40	1500 PSI	80	92	---	90	\$11,000.00

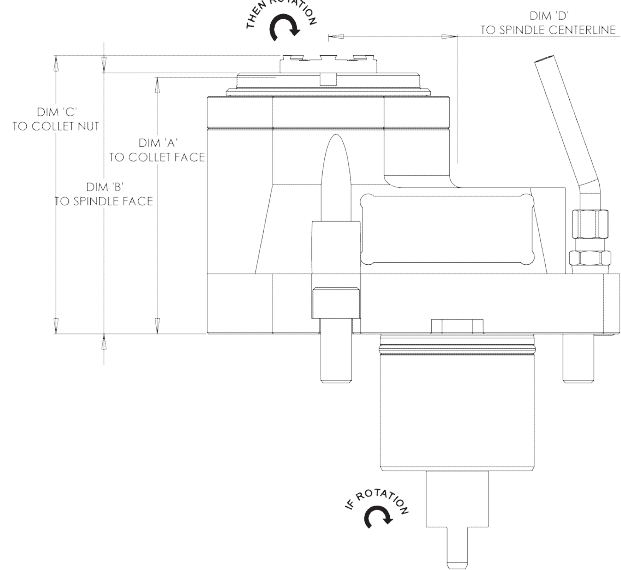
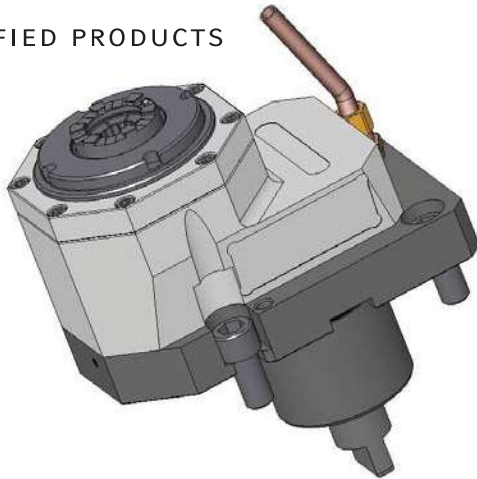


**NL(X) 1500-4000 (10/12-STATION TURRET)**  
**NT(X) 4200 - 5400 SERIES (10/12-STATION TURRET)**  
**NZ(X) 2500 - 4000 SERIES (10/12 STATION TURRET)**



**DMG MORI**

QUALIFIED PRODUCTS



ROTARY TOOLS

**STRAIGHT-OFFSET (OD)**

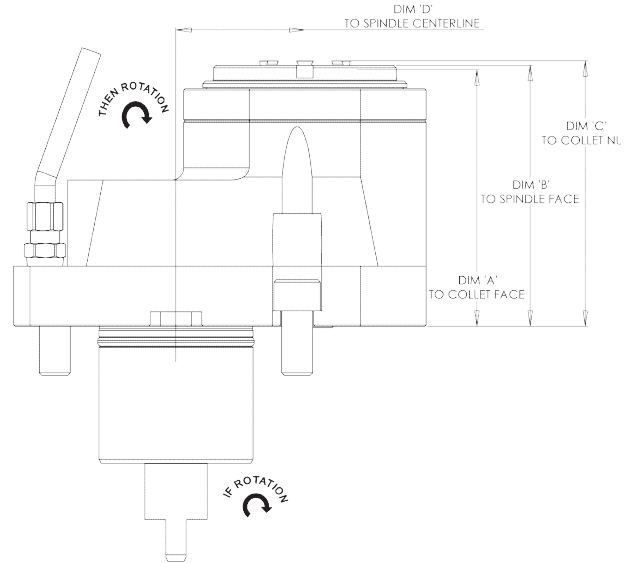
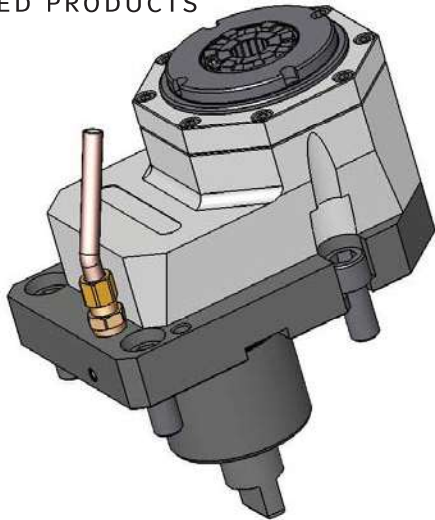
Item Number	Tool Axis	Ratio	Spindle	Internal Coolant	A (mm)	B (mm)	C (mm)	D (mm)	List Price
DT10111402711	OD-Offset	1:1	ER-32	----	101	101	103	50	\$4,500.00
DT10111402721	OD-Offset	1:1	ER-32	1500 PSI	101	101	108	50	\$5,500.00
DT10111502711	OD-Offset	1:1	ER-40	----	101	101	103	50	\$4,500.00
DT10111502721	OD-Offset	1:1	ER-40	1500 PSI	101	101	109	50	\$5,500.00
DT10110602711	OD-Offset	1:1	KM-40	----	89	101	---	50	\$6,500.00
DT10110602721	OD-Offset	1:1	KM-40	1500 PSI	89	101	---	50	\$7,500.00
DT10121402711	OD-Offset	1:2	ER-32	----	101	101	103	50	\$6,000.00
DT10121402721	OD-Offset	1:2	ER-32	1500 PSI	101	101	108	50	\$7,000.00
DT10141402711	OD-Offset	2:1	ER-32	----	101	101	103	42	\$6,000.00
DT10141402721	OD-Offset	2:1	ER-32	1500 PSI	101	101	108	42	\$7,000.00
DT10141502711	OD-Offset	2:1	ER-40	----	101	101	103	42	\$6,000.00
DT10141502721	OD-Offset	2:1	ER-40	1500 PSI	11	101	109	42	\$7,000.00



**NL(X) 1500-4000 (10/12-STATION TURRET)**  
**NT(X) 4200 - 5400 SERIES (10/12-STATION TURRET)**  
**NZ(X) 2500 - 4000 SERIES (10/12 STATION TURRET)**

**DMG MORI**

QUALIFIED PRODUCTS



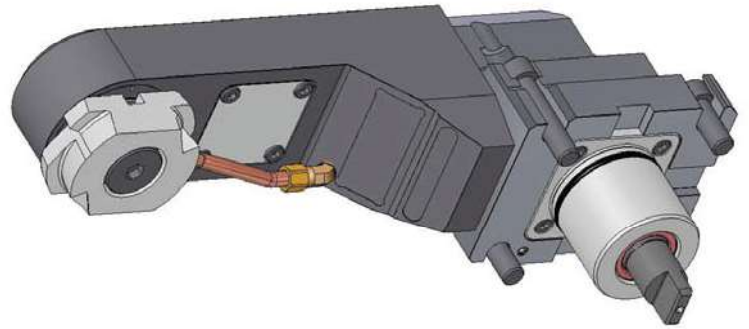
ROTARY TOOLS

**STRAIGHT-OFFSET REVERSE (OD)**

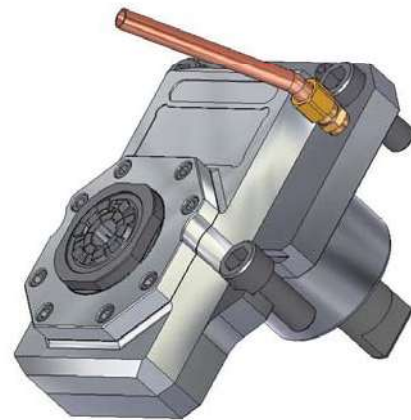
Item Number	Tool Axis	Ratio	Spindle	Internal Coolant	A (mm)	B (mm)	C (mm)	D (mm)	List Price
DT10311402711	OD-Offset Back	1:1	ER-32	----	101	101	103	50	\$4,500.00
DT10310602711	OD-Offset Back	1:1	KM-40	----	89	101	---	50	\$6,500.00

**DT SERIES  
NL-NLX SERIES  
NT-NTX SERIES  
NZ-NZX SERIES**

ROTARY TOOLS



**SPECIALS**



# DT SERIES

## NL-NLX SERIES

## NT-NTX SERIES

## NZ-NZX SERIES

### Why do over 94% of our test programs result in customer purchases....?



*Designed, manufactured and supported in the USA for a Mori Seiki customer by a Mori Seiki customer.*



*Your only supplier with over 60 years of gear and bearing expertise combined with over 30 years of hydraulic expertise.*



*All tools are designed to each specific machine as to not limit your equipment's capabilities.*



*Quality high precision spindle bearings (ABEC 7 / P4 minimum) are used for performance, rigidity and durability for smooth operation and long life giving the assurance of solid performance.*



*Maximum use of each machine's turret cone for larger diameter duplex bearings set around the clamping system without interference to neighboring tools.*



*Highest quality seals and o-rings for protection against external contamination. Long-life premium grease for optimum lubrication environment.*



*Recessed spindle configurations reduces the length of moment arm for longer bearing life while maximizing tool lengths.*



*Bodies are made of high quality steels with a one piece base for maximum rigidity and wear resistance. Black oxide coated and/or melonited for a professional finish.*



*Internal and External combination coolant options. High pressure internal coolant options up to 500PSI and 1,500 PSI.*



*Hardened and honed right-angle spiral bevel and spur cut gears provide for long life, high strength and quiet operation.*



*Industry proven ER Tooling System for reliable and controlled machining. Wrenches Included!*



*All tools are packaged with specification sheets, operating instructions and audit-test reports.*



*Kennameta® Modular Quick-Change Tooling System for reliable and efficient tool changes.*



*48 Hour Service on repairs! We have even done them in less than one hour. We understand your urgency as we are a customer too!*

